

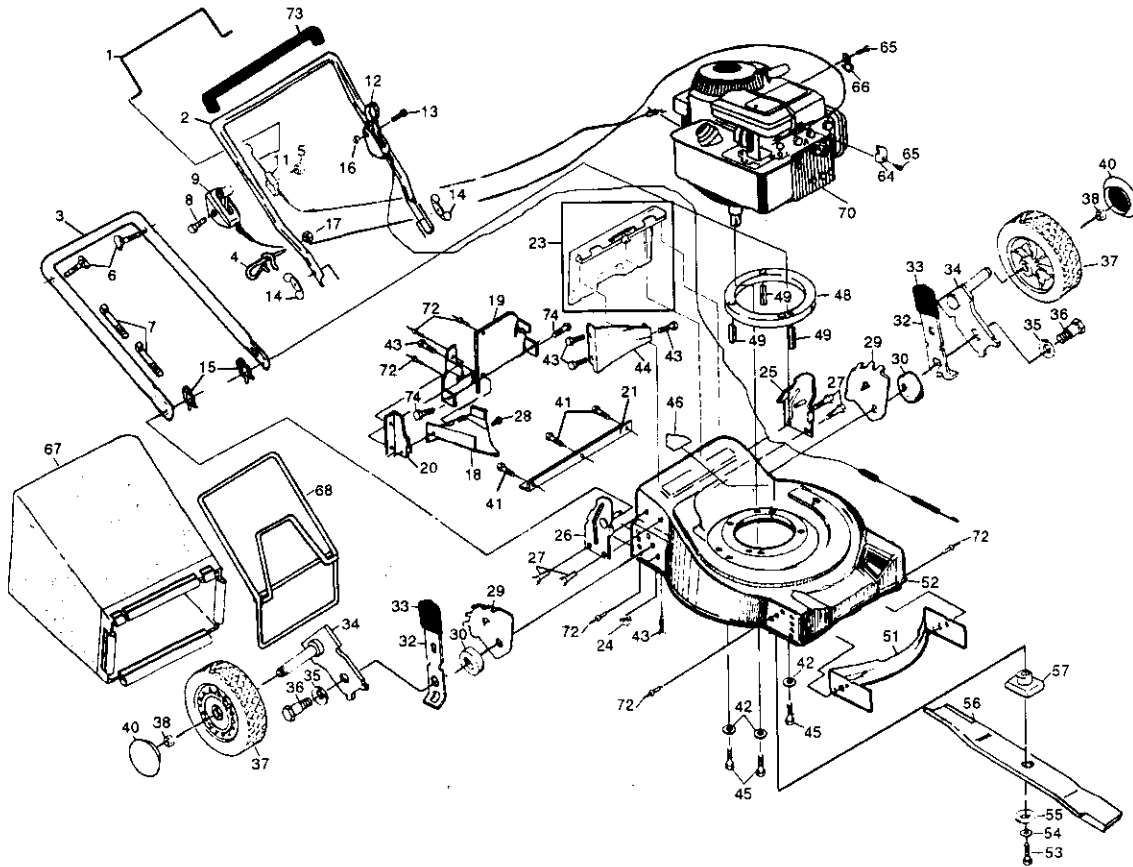


Prod.No: 954 06 88-02 (P150 d TÜV)

Engine: B & S 98982 Type: 0390 Trim: 01

SPAREPARTS

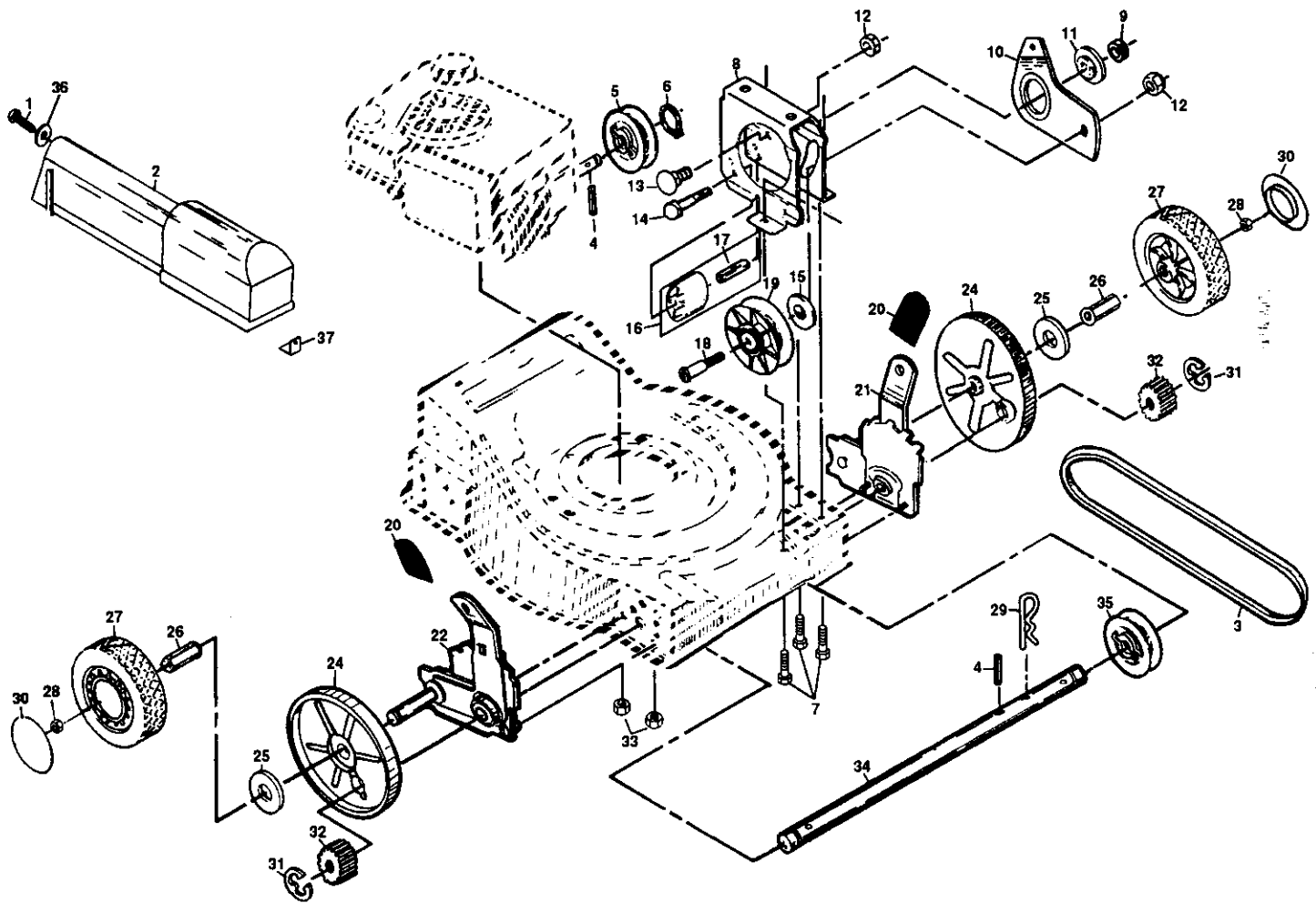
107 25 37-67



NOTE: All component dimensions given in U.S. inches
1 inch = 25.4 mm

Ref. No.	Part.No.	Description
1	532 14 67-71	Control Bar
2	532 15 34-07	Upper Handle
3	532 15 34-06	Lower Handle
4	532 13 20-01	Rope Guide
5	532 06 36-01	Locknut 1/4-20
6	532 13 19-59	Handle Bolt
7	532 15 15-17	Cable Clip
8	532 14 49-29	Hex Washer Head Screw 1/4-20 x 2.12
9	531 02 06-50	Throttle Control
11	532 13 08-61	Engine Zone Control Cable
12	532 14 63-92	Drive Control Cable
13	532 14 49-29	Hex Head Machine Screw 1/4-20 x 2.1
14	532 12 86-38	Wing Nut
15	532 05 17-93	Hairpin Cotter
16	532 08 36-01	Locknut 1/4-20
17	873 68 04-00	Keys Locknut 1/4-20
18	532 12 53-78	Discharge Baffle
19	532 14 87-84	Back Plate
20	532 13 88-66	Side Baffle
21	532 14 76-25	Plate, Rear
23	532 14 76-13	Rear Door Assembly Kit
24	532 75 15-92	Locknut 3/8-16
25	532 15 34-05	Handle Bracket Assembly (Left)
26	532 15 34-04	Handle Bracket Assembly (Right)
27	532 15 00-78	Screw 5/16-18 x 3/4
28	532 15 00-50	Hex Head Self-tapping Screw #10-24 x 1/2
29	532 13 99-01	Wheel Adjusting Bracket
30	532 14 66-30	Spacer
32	532 14 17-30	Selector Spring
33	532 08 78-77	Selector Knob
34	532 14 98-57	Axle Arm Assembly
35	532 06 23-35	Belleville Washer
36	532 14 27 48	Shoulder Bolt 3/8-16 x 1
37	532 14 84-40	Wheel & Tire Assembly
38	532 08 39-23	Locknut

Ref. No.	Part.No.	Description
40	532 07 74-00	Hubcap
41	532 14 66-94	Hex Tapping Screw 1/4-20
42	532 05 39-98	Flat Washer
43	532 05 45-83	Hex Tapping Screw 1/4-20 x 1/2
44	532 12 50-35	Rear Baffle
45	532 85 09-99	Hex Head Thread Rolling Screw 3/8-16 x 2
48	532 85 09-88	Engine Spacer (Includes Key #49)
49	532 85 09-87	Engine Bushing
51	532 14 14-78	Front Baffle
52	532 14 90-76	Housing Assembly (Incl. Ref. #46)
53	532 85 10-84	Hex Head Bolt 3/8-24 x 1-3/8 Grd. 8
54	532 85 02-63	Helical Lock Washer
55	532 85 10-74	Hardened Washer
56	531 02 01-34	20" Blade
57	532 85 15-14	Blade Adapter
64	532 11 11-90	Cable Clamp
65	532 08 38-16	Screw #10 x 5/8
66	532 08 79-30	Cable Clip
67	532 14 98-87	Grass Bag
68	532 14 95-55	Catcher Frame
70	-----	Engine - Briggs/Stratton Model No. 96982
72	532 12 84-15	Pop Rivet
73	532 12 97-14	Handle Grip
74	532 08 86-52	Screw



NOTE: All component dimensions given in U.S. inches
1 inch = 25.4 mm

Ref. No.	Part.No.	Description
1	532 14 19-12	Hex Washer Head Screw #10-24 x 1.13
2	532 70 14-59	Drive Cover
3	531 02 06-52	Drive Belt
4	532 85 19-80	Drive Pawl
5	532 08 80-43	Drive Pulley
6	812 00 00-30	Retaining Ring
7	532 05 45-83	Screw 1/4-20 x 1/2
8	532 12 52-46	Clutch Frame
9	532 05 09-62	Locknut 1/4-20
10	532 14 14-29	Clutch Lever
11	532 08 80-67	Clutch Lever Spacer
12	873 68 05-00	Locknut 5/16-18
13	872 07 05-04	Carriage Bolt 5/16-18 x 1/2
14	874 78 04-24	Hex Head Screw 1/4-20 x 1-1/2
15	532 08 80-69	Spacer
16	532 04 81-60	Idler Assembly (Includes Key No. 17)
17	532 08 85-76	Idler Spacer
18	532 08 85-17	Shoulder Bolt 5/16-18 x 1-3/8

Ref. No.	Part.No.	Description
19	532 08 85-16	Idler Pulley
20	532 08 78-77	Selector Knob
21	532 15 20-18	Selector Assembly (Left)
22	532 15 20-19	Selector Assembly (Right)
24	532 08 80-80	Dust Cover
25	532 08 77-25	Washer
26	532 08 84-46	Wheel Bushing
27	532 85 06-90	Wheel & Tire Assembly
28	532 14 52-12	Locknut
30	532 07 74-00	Hubcap
31	812 00 00-58	E-Ring
32	532 13 70-54	Pinion
33	873 68 04-00	Locknut 1/4-20
34	532 70 05-37	Drive Shaft
35	532 08 80-82	Driven Pulley
37	532 70 14-77	Push Fastener